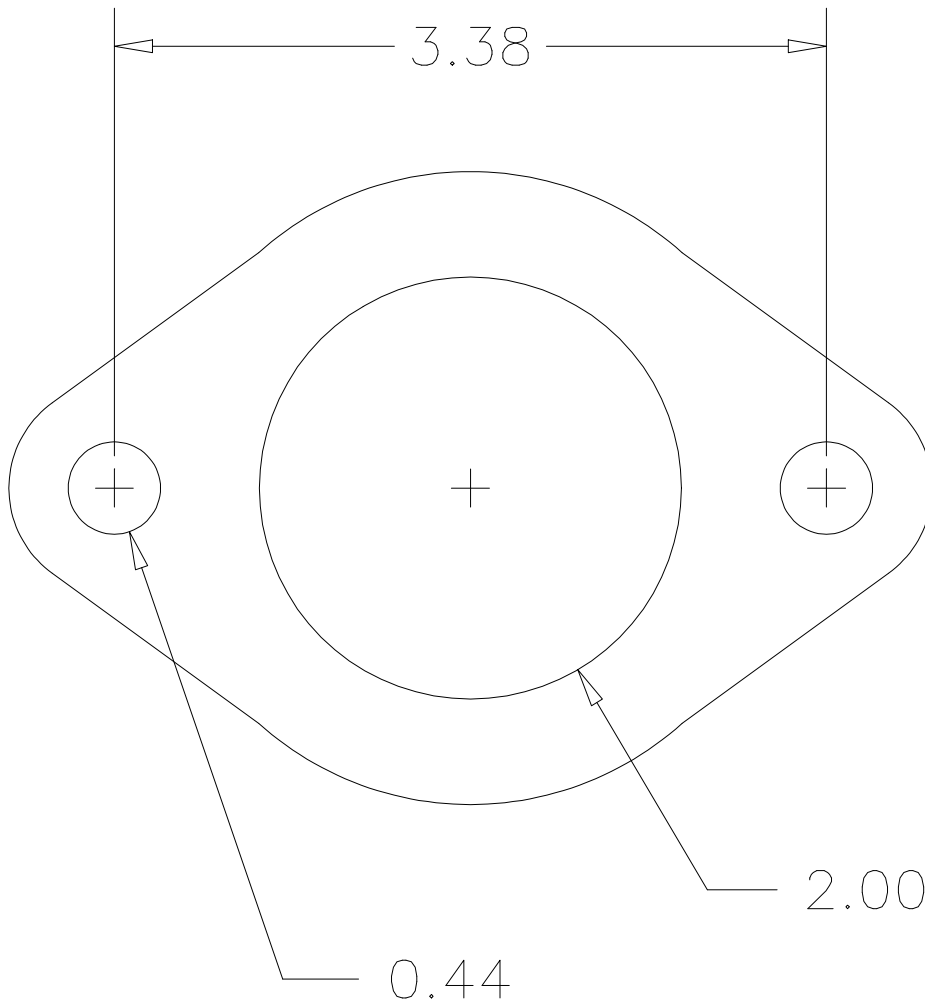


REV	ECN #	DATE	DESCRIPTION OF CHANGE-IS (WAS)	BY:
(*)	8542	03/12/04	RELEASED FOR PRODUCTION	PH



SOURCE: NAPA AUTO PARTS

PHONE#: (910) 944-2395

PART#: 31388

CONFIDENTIAL

THIS DRAWING AND ALL INFORMATION CONTAINED HEREIN ARE THE EXCLUSIVE PROPERTY OF MINUTEMAN INTERNATIONAL, INC. THIS DRAWING IS NOT TO BE COPIED OR OTHERWISE REPRODUCED WITHOUT EXPRESSED WRITTEN PERMISSION OF MINUTEMAN INTERNATIONAL, INC. IN ADDITION, THIS DRAWING MUST BE RETURNED UPON REQUEST. FURTHER, ALL INFORMATION CONTAINED HEREIN MUST BE MAINTAINED CONFIDENTIAL.

SOURCE:  
SEE ABOVE

PN.  
MATL:

FINISH:

**Minuteman**  
PowerBoss®

175 Anderson Street  
Aberdeen, NC 28315  
PHONE (910) 944-2105  
FAX (910) 944-7409

CAD  
BY: HENDRICKS

DATE: 03/12/04

UNSPECIFIED TOLERANCES

Y.X	.1	ANGULAR:
.XX	.03	X. 1°
.XXX	.010	.X .5°

DESCRIPTION

GASKET-EXHAUST CATALYST

DES. ENG: HENDRICKS  
ENG. REL: 8542 03/12/04

PART NO. 3333656

REV \*  
LEV

SHT NO.  
1 of 1